

ALPENINOX

Crio Smart 1 Glass Door Digital Refrigerator, 670lt (+2/+10) - Remote (R134a)

ITEM # _____

MODEL # _____

NAME # _____

SIS # _____

AIA # _____



729500 (ARX71GRR)

1-glass door refrigerator
670lt, +2/+10°C, digital, remote
cooling unit, (R134a), AISI
304

Short Form Specification

Item No. _____

Full glass door refrigerator with internal and external structure in 304 AISI stainless steel; external back panel in galvanized steel and bottom panel in anti-corrosive material. Digital control with cabinet temperature display and setting and manual activation of defrost cycle. Fully compliant HACCP digital controls include visible alarms. Optimized back to front forced air flow provides even temperature distribution and fast cooling in any conditions. Fitted with 75 mm-thick cyclopentane insulating foam. Door features lock and door microswitch to switch off the fan when the door is opened. Hidden evaporator to guarantee higher storage capacity and less corrosion problems. Remote unit. Ventilated operation; internal back light; automatic defrost and evaporation of defrost water. For ambient temperatures up to 32 °C. CFC and HCFC free.
R134a gas in refrigeration circuit.

Main Features

- Right hinged glass door.
- Digital control with cabinet temperature display and setting, manual activation of defrost cycle and internal light switch. Fully compliant HACCP digital controls include visible alarms.
- Automatic defrost.
- Large storage area suitable to contain 2/1 GN grids or shelves on anti-tilt runners.
- Performance guaranteed at ambient temperatures of +32°C.
- The operating temperature can be adjusted from +2 to +10°C to suit both meat and dairy storage requirements.
- Cabinet fitted with up to 75 mm thickness of cyclopentane insulation for best insulating performance with 100% environmental protection (thermal conductivity: 0,020 W/m*K).
- Hidden evaporator thus guaranteeing higher storage capacity and less corrosion problems.
- Internal structure with numerous charging positions available to host grids, ensuring higher net capacity and a greater storage space.
- 60 mm-thick insulation covering the evaporator can be easily removed with a single operation.
- Removable triple-chamber balloon magnetic gasket to improve insulation and reduce energy consumption and ease of cleaning.
- Rilsan coated grids for improved protection.
- Optimized back to front forced air flow provide even temperature distribution and fast cooling in any conditions.
- Height adjustable stainless steel feet.
- Led lights on the door guarantee an even light in the cavity.
- Connectivity ready for real time access to connected appliances from remote and data monitoring (requires optional accessory).

APPROVAL: _____

Construction

- Interior base with rounded corners, pressed from a single sheet.
- Lockable door.
- Constructed from the highest quality AISI 304 Stainless steel.
- The rounded internal corners, the easily removable runners and grids allow for ease of cleaning and high hygiene standards.
- Easy access to the main components for maintenance.
- Stainless steel runners and supports easily disassembled.
- Door switch stops the fan when door is opened to avoid cold air exiting the cell, thus saving energy.
- Anti-corrosion bottom avoids any damage that may be caused to the cabinet by aggressive detergents employed to clean the floors.
- Doors are self-closing and can be fully opened up to 180°.
- Remote refrigeration unit.
- Refrigerant type: R134a.
- CFC and HCFC-free insulation.

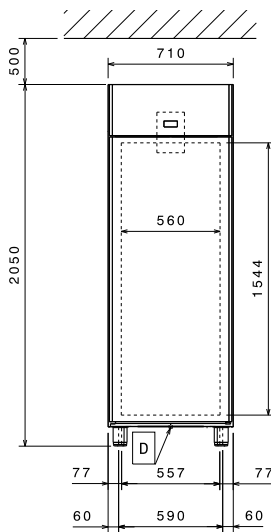
Included Accessories

- 3 of 2/1GN gray rilsan grid with 2 runners PNC 881020

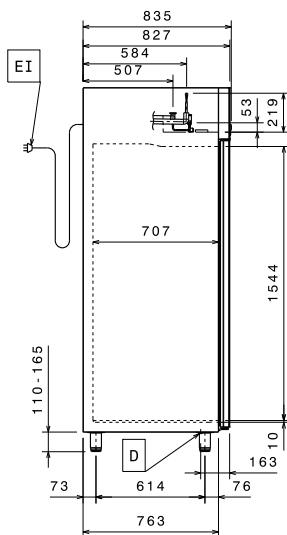
Optional Accessories

- | | | |
|---|------------|--------------------------|
| • 2 stainless steel runners for refrigerated cabinets - (Marine) | PNC 880242 | <input type="checkbox"/> |
| • 1/1GN set of 8 PVC containers for fish | PNC 880243 | <input type="checkbox"/> |
| • Spacer for 670L and 1430L refrigerated cabinets | PNC 880248 | <input type="checkbox"/> |
| • Pedal opening for cabinets | PNC 880324 | <input type="checkbox"/> |
| • Plastic container with false bottom, 1/1GN | PNC 880705 | <input type="checkbox"/> |
| • Kit to fit 10 pastry trays (400x600mm) | PNC 881003 | <input type="checkbox"/> |
| • 2/1GN gray rilsan grid | PNC 881004 | <input type="checkbox"/> |
| • AISI 304 stainless steel grid, 2/1GN | PNC 881016 | <input type="checkbox"/> |
| • AISI 304 stainless steel grid with 2 runners, 2/1GN | PNC 881018 | <input type="checkbox"/> |
| • Meat rail for 670/1430L refrigerators with 4 hooks | PNC 881019 | <input type="checkbox"/> |
| • 2/1GN gray rilsan grid with 2 runners | PNC 881020 | <input type="checkbox"/> |
| • Set of 2 stainless steel runners for 670/1430L refrigerators and freezers | PNC 881021 | <input type="checkbox"/> |
| • PVC container with lid and 2 runners, 2/1GN | PNC 881039 | <input type="checkbox"/> |
| • 2/1GN perforated shelf | PNC 881042 | <input type="checkbox"/> |
| • 1/1GN rilsan steel wire basket h150mm | PNC 881043 | <input type="checkbox"/> |
| • 2/1GN gray rilsan basket + 2 runners h150mm | PNC 881047 | <input type="checkbox"/> |

Front

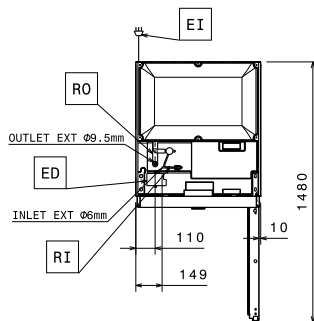


Side



EI = Electrical inlet (power)
RI = Refrigerant Inlet
RO = Refrigerant Outlet

Top



Electric

Supply voltage:
729500 (ARX71GRR) 220-240 V/1 ph/50/60 Hz
Electrical power max.: 0.12 kW

Key Information:

Gross capacity: 670 lt
External dimensions, Width: 710 mm
External dimensions, Depth: 835 mm
External dimensions, Depth with Doors Open: 1480 mm
External dimensions, Height: 2050 mm
Number and type of grids (included): 3 - GN 2/1
Type of external material: 304 AISI
Type of internal material: 304 AISI
Number of positions & pitch: 44; 30 mm

Refrigeration Data

Control type: Digital
Operating temperature min.: 2 °C
Operating temperature max.: 10 °C
Refrigeration type: R134a;R513A;R426A
Operating mode: Ventilated
Cooling unit: Remote
Defrost type: By Air
Suggested refrigeration power: 320 W
Condition at evaporation temperature: -10 °C
Condition at condensation temperature: 55 °C
Condition at ambient temperature: 32 °C
Connection pipes (remote) - outlet: 9.5 mm
Connection pipes (remote) - inlet: 6 mm

*Note: Ref. Power calculated at a linear distance of 15 mt (piping)